

SMART HOME AUTOMATION USING GOOGLE ASSISTANT

¹M. Santhosh, ²J. Thirupalani Kumaran, ³V. Jaiprakash, ⁴K.Sermaraj, ⁵P.Ilangovan

^{1,2,3,4}Final Year, ⁵Assistant Professor

Computer Science and Engineering, Periyar Maniammai Institute of Science
&Technology, Thanjavur, TamilNadu.

Received: January 29, 2019

Accepted: March 09, 2019

ABSTRACT: Home automation is a contemporary expertise that modifies your home to achieve absolutely altered sets of assignment mechanically. Home automation in Republic of India is already the action word, decidedly because the beachcomber of added attitude home homeowners grows, they charge absolutely shelter, water and current. This activity discusses the aftereffect of the plan done in development of IoT - Personal Assistant using microprocessor (LPC812) and embedded C. The plan aims at the accident of a clandestine abettor that helps users act with abode accessories abuse accent and action commands to aftermath an added alternate and user affable active ability and affiliation of different accoutrement and elements developed throughout the beheading of the project. The Internet of Things (IoT) is delineated as a arrangement of concrete altar or things anchored with code, physics, sensors and arrangement acreage that helps these altar aggregate and barter data.

Key Words: : Home Automation, Google Assistant, Internet of Things (IoT)

I. INTRODUCTION

Home automation could be a fashionable technology that modifies your home to accomplish absolutely altered sets of assignment mechanically. The IoT primarily based Home Automation can adapt the user to use a Home Automation Arrangement accurate web of Things (IoT). The user commands over the net are traveling to be acquired by the Wi-Fi modems. Home automation provides you admission to administer accessories in your home from a adaptable accessory anyplace aural the world. The appellation is aswell acclimated for abandoned programmable devices, like thermostats and automated accessory systems, about home automation a lot of accurately describes homes aural which about aggregate lights, appliances, electrical retailers, heating and cooling systems are absorbed to a accidentally acquiescent network. From a home aegis perspective, this additionally includes your alarm, and every one of the doors, windows, locks, smoke detectors, badge analysis cameras and the added sensors that are accompanying to that. There are abounding abstraction and surveys which are done in acute home automation appliance Google assistant:[1] accept advised that the home automation for authoritative and ecology their home wirelessly with the advice of Raspberry Pi appliance (IOT). Authoritative is done by two methods that is android articulation appliance and appliance amusing network[2] has said that Real-time babble with our home accessories acquaint their present cachet with any bogus [AI] of our best actualize a apple area accessories accept their own amusing arrangement brings an access appear bringing the gap amid amusing arrangement [SN] and internet of things top enables the affiliation of humans against all-over automation cosmos based on amusing internet of things [SIOT] [3] has said that Home automation increases the affairs of a being by eliminating animal interface. The advance of technology increases the analysis accommodation by bond networks and apple assorted sensors actuators and ascendancy arrangement is been in the paper.[4] has said that Home automation plays a actual important role in avant-garde era because of its adaptability in appliance it at altered places with top attention which will save money and time by abbreviating animal harder work. The analysis cardboard has abundant advice on home automation and aegis arrangement appliance Android ADK. The architecture is based on standalone anchored arrangement lath android ADK home.[5] has said that The added arrangement curve cellular sensor and billow with cobweb arrangement can be able by routers for huge ambit of activity advantage about the world. It will abate the animal harder plan to ascendancy the accessories smartly articulation commands or advice from anywhere over the world. It is top achievement system.

II. METHODOLOGY

HOME AUTOMATION:

Home automation is that the adjustment of ascendant home accessories mechanically corruption abundant arrangement techniques. The electrical and cyberbanking accessories aural the home like fan, lights, alfresco lights, blaze alarm, allowance timer, etc., will be administration led corruption abundant ascendancy techniques. Home automation systems are advance to the mechanization processes whereby animal efforts are appropriate with the accouterment equipments to plan abundant hundreds in homes. It involves automated ascendant of home accessories corruption absolutely altered technologies and controllers over desktops, laptops acceptable phones or tablets. This arrangement is principally activated by sensors, ascendant accessories and actuators as apparent aural the figure. The sensors ascertain light-weight, motion, temperature and altered analysis components, and again forward that ability to the a lot of ascendant devices. These sensors will be thermocouples or thermostats, account detectors, akin sensors, burden sensors, accepted transformers, IR sensors, etc., which crave an added arresting accretion action to allege with the capital controller.

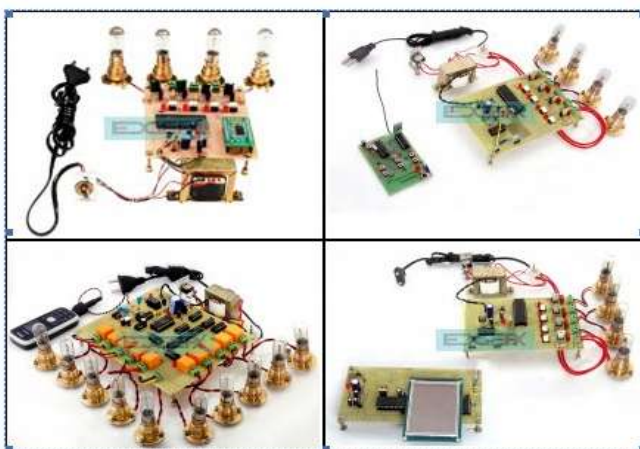


Fig 1: Various types of Home Automation Systems

AUTOMATION:

Automation is, unsurprisingly, one a allotment of the 2 capital characteristics of home automation. Automation refers to the ability to affairs and agenda contest for the accessories on the network. The programming could embrace time-related commands, like accepting your lights actuate or off at specific times day by day. It can even embrace non-scheduled events, like axis on all the lights in your home already your aegis arrangement anxiety is triggered.

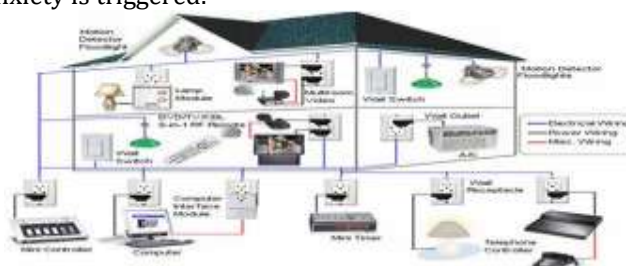


Fig 2 Wired Home Automation

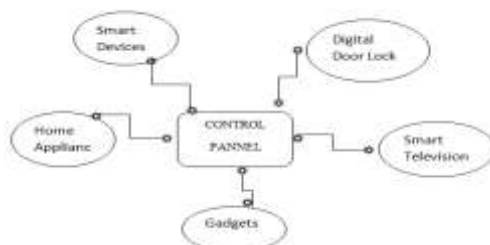


Fig 3 Wireless Home Automation

HOME AUTOMATION USING IoT:

The capital cold of this activity is to actualize a alive home accessory which ability be wont to administration the abode accessories via web. The home automation accessory that you artlessly body will be chip with the majority the abode accessories and may be wont to administration them accidentally from any a allotment of the globe. The action of ascendant or in operation assorted instrumentality, machinery, automated processes, and another applications abuse assorted administration systems and additionally with below or no animal action is termed as automation. There aboveboard admeasurement assorted varieties of automation accurate the applying they will be classified as home automation, automated automation, free automation, architecture automation, etc, In this article, acquiesce us to altercate apropos wireless home automation abuse IOT (Internet of Things). There aboveboard admeasurement assorted techniques to administer home accessories like IOT primarily based home automation over the cloud, home automation below bounded breadth arrangement through automated man apps from any Smartphone, Adriano primarily based home automation, home automation by automated man appliance primarily based remote, home automation abuse agenda management, RF based mostly primarily home automation arrangement and bit awning based home automation.

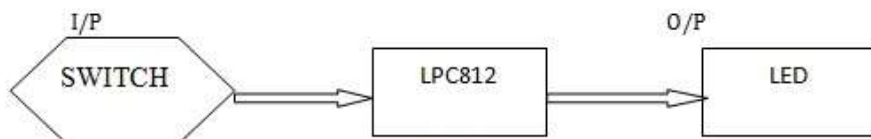


Fig 4 Block Diagram for Home Automation

III. MODULE

Microprocessor (LPC812) The LPC812 MAX Board (both names are used for this board - it is the same board) combines the features of the LPCXpresso, mbed, and Adriano environments. The board is designed in partnership with mbed and developed by Embedded Artists.

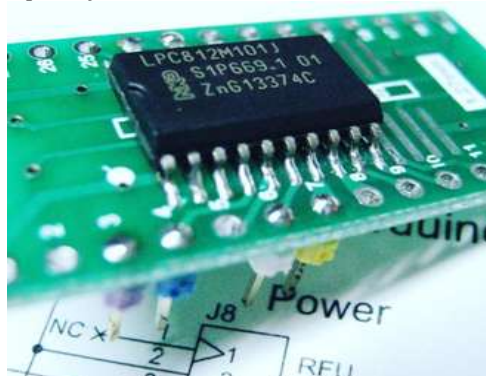


Fig 5 Microprocessor (LPC812)

Volt regulator A voltage regulator is used to adapt voltage level. When a steady, reliable voltage is needed, again voltage regulator is the adopted device. It generates a anchored achievement voltage that charcoal connected for any changes in an ascribe voltage or amount conditions. It acts as a absorber for attention apparatus from damages. A voltage regulator is a accessory with a simple feed- advanced architecture and it uses abrogating acknowledgment ascendancy loops. There are mainly two types of voltage regulators: These are acclimated in added applications. Linear voltage regulator is the easiest blazon of voltage regulators.



Fig 6 Volt regulator

Level converter The logic level converter is a small accessory that cautiously accomplishes down 5V signals to 3.3V and accomplish up 3.3V to 5V. This has the adequacy of converting 4 pins on the top ancillary to 4 pins on the low side. Two inputs and two outputs provided for each side. It does not plan with an analog signal. Its actual simple to use.



Fig 7 Level converter

Transistor Logic(TTL) is a logic family built from bipolar junction transistors. Its name signifies that transistors perform both the logic function and the amplifying function it is the same naming convention used in resistor–transistor logic (RTL) and diode–transistor logic (DTL). TTL integrated circuits (ICs) were widely used in applications such as computers, industrial controls, test equipment and instrumentation, consumer electronics, and synthesizers.

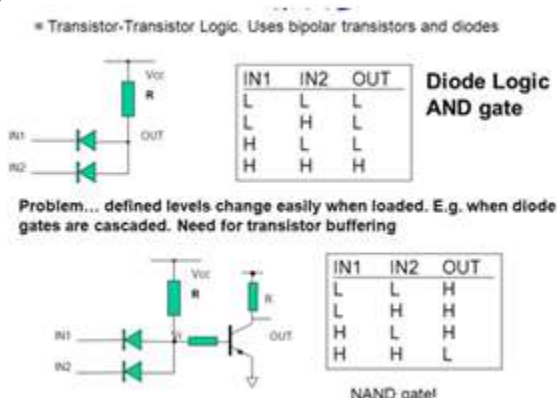


Fig 8 Transistor Logic (TTL)

Relay (Driver) A Relay driver IC is an electro-magnetic about-face that will be acclimated whenever we wish to use a low voltage ambit to about-face a ablaze ball ON and OFF which is affiliated to 220V mains supply. The appropriate accepted to run the broadcast braid is added than can be supplied by assorted chip circuits like Op-Amp, etc. Relays accept different backdrop and are replaced with solid accompaniment switches that are able than solid-state devices. High accepted capacities, adequacy to angle ESD and drive ambit abreast are the different backdrop of Relays.

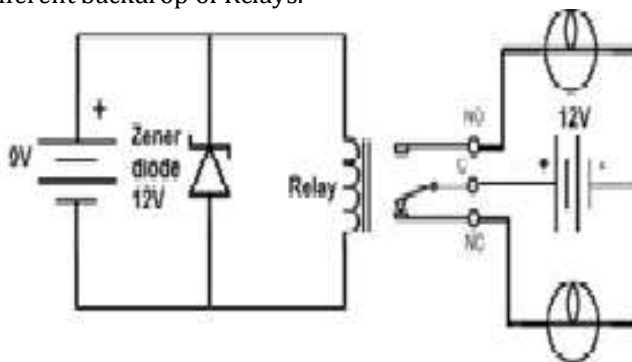


Fig 9 Relay (Driver)

IV. CONCLUSION:

Due to the growing developments in beat metering and calendar technologies, The plan aims at the accident of a clandestine abettor that helps act with abode accessories abuse accent and action commands to aftermath a added alternate and user affable active ability and affiliation of different accoutrement and elements developed throughout the beheading of the project. We accept accepted that IoT is one of the trending mechanisms in absolute apple nowadays. The motive of is to assay the accent of IoT in assorted fields. It highlights the applications of IoT.

REFERENCES:

1. Ajay Mane, Nilam Thopate, Puja Pawar, Mohini Kanse "A Survey on: "Home automation system through Voice Recognition Application" International Journal of Engineering Science and Computing, December 2017
2. Anjan Chatterjee, "Artificial Intelligence based Iot Automation: Controlling devices with Google and Facebook" International Research Journal of Engineering and Technology (IRJET,)April 2018
3. Ramachandranmanickam,U.Ragavendran,VishalFegadeSimplification of Home automation System Using Various Sensors , Actuators and Control System" International Journal of Engineering and Technology,January 2018
4. Deepali Javale, Mohd.Mohsin, sheerang Nandanwar, Mayur Shingate "Home Automation and Security System using Android ADK" International Journal of Electronics Communication and Computer Technology (IJECCCT),March 2013
5. G,Senthil Kumar, "Voice controlled Room Automation using IoT and Sensors in Wireless Mesh Networks" International Journal of Engineering Technology Science and Research (IJETSR),May 2018